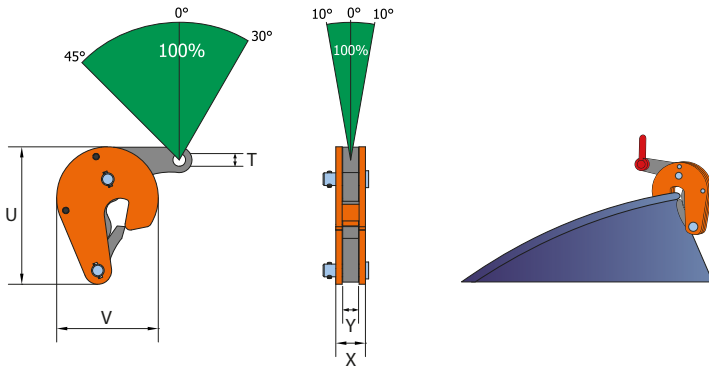


## VKFW pewag winner drum clamps

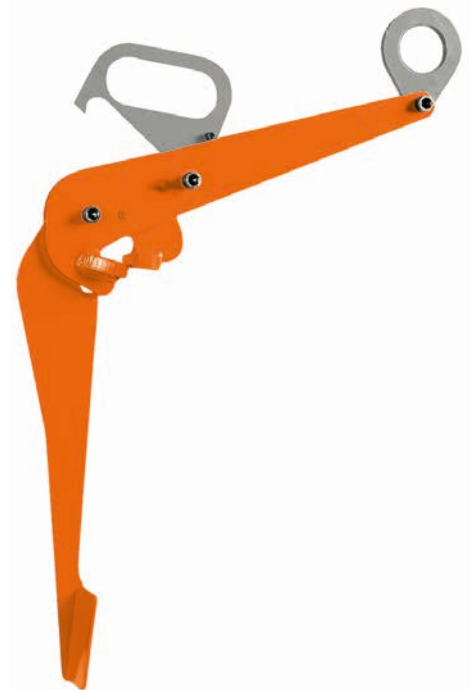
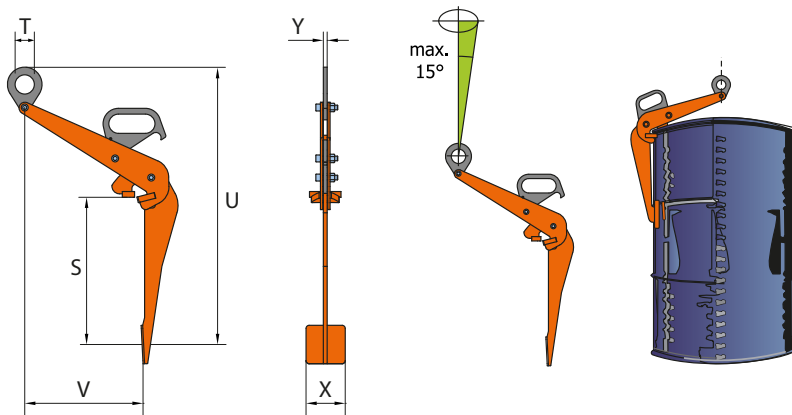
Special clamp for safe lifting and moving of steel (oil) drums.  
The automatic locking mechanism of VKFW clamps ensures a safe transport of drums.  
VKFW steel drum clamps can be used in pairs or single.



Code	Load capacity [kg]	Jaw-opening R [mm]	U [mm]	V [mm]	T [mm]	X [mm]	Y [mm]	Weight [kg/pc.]
VKFW 0.5 t	500	0-17	121	96	12	28	15	1.30

## VKHW pewag winner drum clamps

For lifting, handling and moving of steel (oil) drums, where the drums have to stay in a vertical position.  
These VKHW clamps should preferably be used only with closed drums. Capacity 0.6 tons.



Code	Load capacity [kg]	Jaw-opening R [mm]	U [mm]	S [mm]	V [mm]	T [mm]	X [mm]	Y [mm]	Weight [kg/pc.]
VKHW 0.6 t	600		765	434	305	50	100	10	7